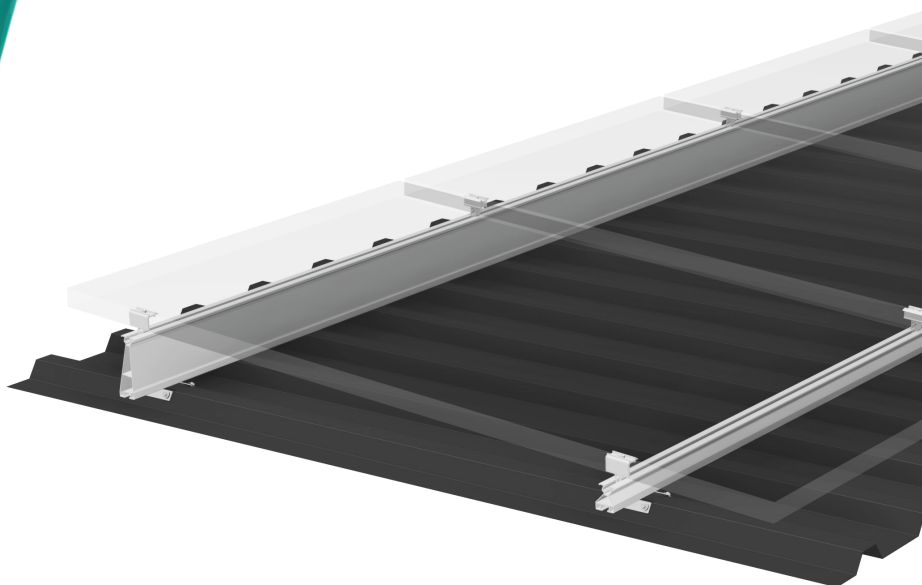


SCHLETTER
The Solar Mounting Group

FIXZ-7 FIXZ-15

PRODUCT SHEET



FIXZ-7 & FIXZ-15

THE OPTIMAL ADDITIONAL SUPPORT FOR FLAT SLOPED TRAPEZOIDAL SHEET CLADDINGS

For flat trapezoidal sheet roofs with less than a 10-degree slope, module installation parallel to the roof is not always optimal, due to low yields and inadequate module self-cleaning. However, in many cases, conventional support with struts is not economical or is even impossible for static reasons due to higher loads. In these cases, only shallow support angles are desirable or feasible.

For these problematic situations, Schletter FixZ-7 and FixZ-15 offer simple, cost-effective additional support.

- Quick and easy to install
- Better rear ventilation
- Better self-cleaning
- Higher yields
- 10-year warranty

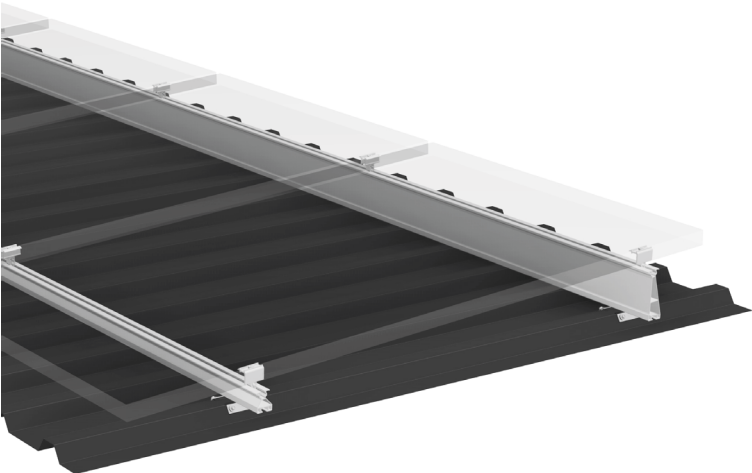
INSTRUCTIONS FOR USE

The FixZ system can be used for all common 60- to 72-cell modules. The resulting setup angles are between 5 and 7 degrees with FixZ-7, and 11 to 15 degrees with FixZ-15. Technically, the FixZ system is suitable only for framed modules. Transverse installation with linear mounting or clamping on the short side is just as possible as conventional vertical installation (please observe the module manufacturer's information). The location of the clamping points should be in the range of 1/4-1/5 of the module height (or according to manufacturer's information).

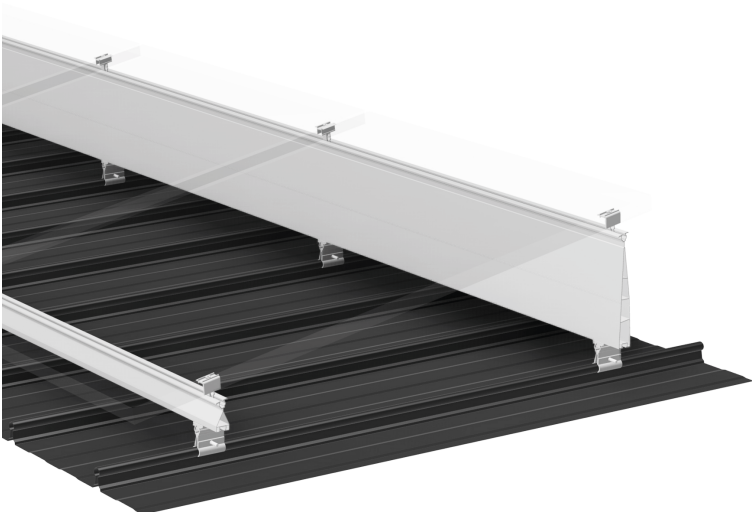
Please also observe the distances to be maintained from the edge of the roof – 1.5 m on the side and 1.2 m on the northern and southern roof edges.

In addition to trapezoidal sheet roofs, folded sheet roofs are also suitable for fastening to the roof covering. Fastening to the substructure of still other roofs is possible. However, here it should be noted that due to the rafter or purlin grid, a cross connection may have to be used.

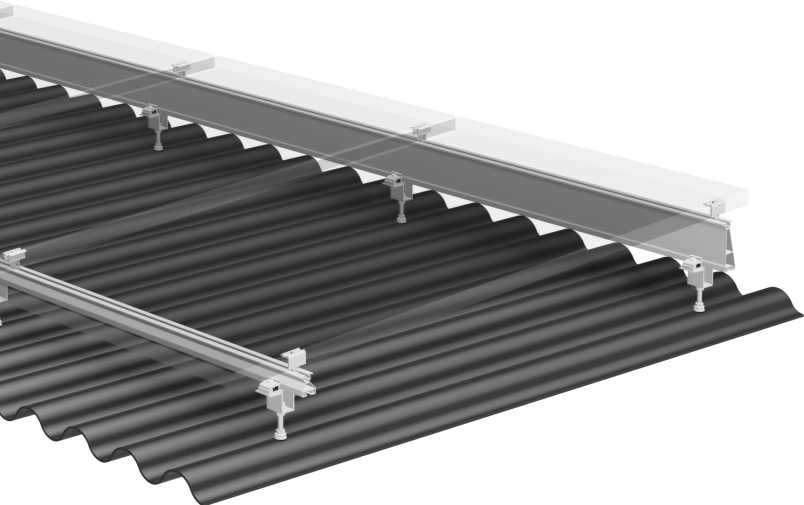
SAMPLE APPLICATIONS



FixZ-7 on trapezoidal sheet with SingleFix-Vario

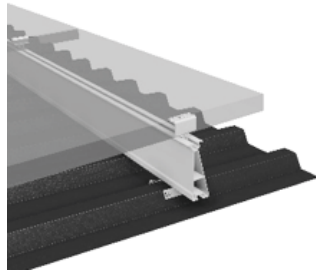


FixZ-15 on a wound folded roof

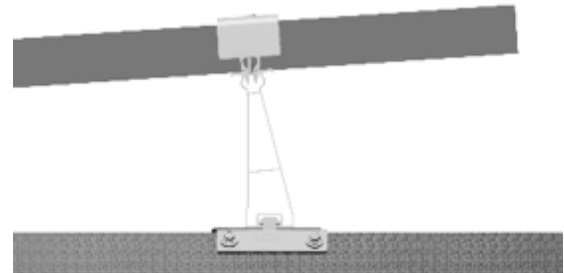


FixZ-7 on corrugated sheet metal cladding fastened to rafters

INSTALLATION



1. Fastener installation
(Pay attention to the shading distance to the module rows!)

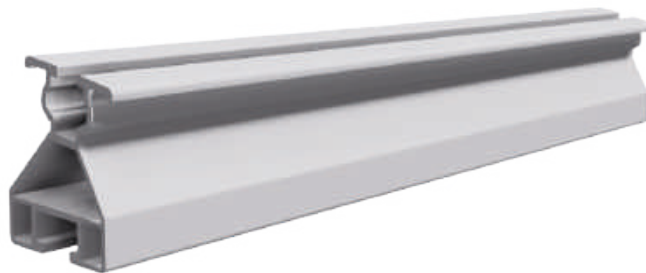


2. Module installation

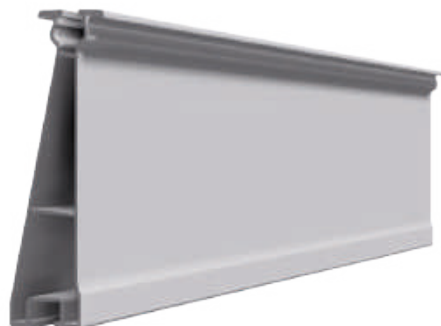
INSTALLATION KITS

For fastening to trapezoidal sheet metal, we offer the FixZ installation kit, which consists of a 450 mm profile cutting and a SingleFix-Vario pair set. The profiles are installed right where the modules' clamping ranges are. This allows the system to be additionally optimized for efficiency.

121010-202 FIXZ7 LOWER SYSTEM PROFILE 450 MM



121001-202 FIXZ7 UPPER SYSTEM PROFILE 450 MM



121009-202 FIXZ15 LOWER SYSTEM PROFILE 450 MM



121008-202 UPPER SYSTEM PROFILE 450 MM



TECHNICAL DATA

Material	System profile: Aluminum
Layout	Configuration and static measurement using the Schletter Configurator.
Statics	Statics calculation according to the current country-specific standards (in Germany EN 1991, EC1). Static systems for dimensioning the quantity of required fastening points. Please make sure you observe the statics information in each case!

For more information, see www.schletter-group.com

SCHLETTER SOLAR GMBH

Alustraße 1
83527 Kirchdorf
GERMANY

www.schletter-group.com

